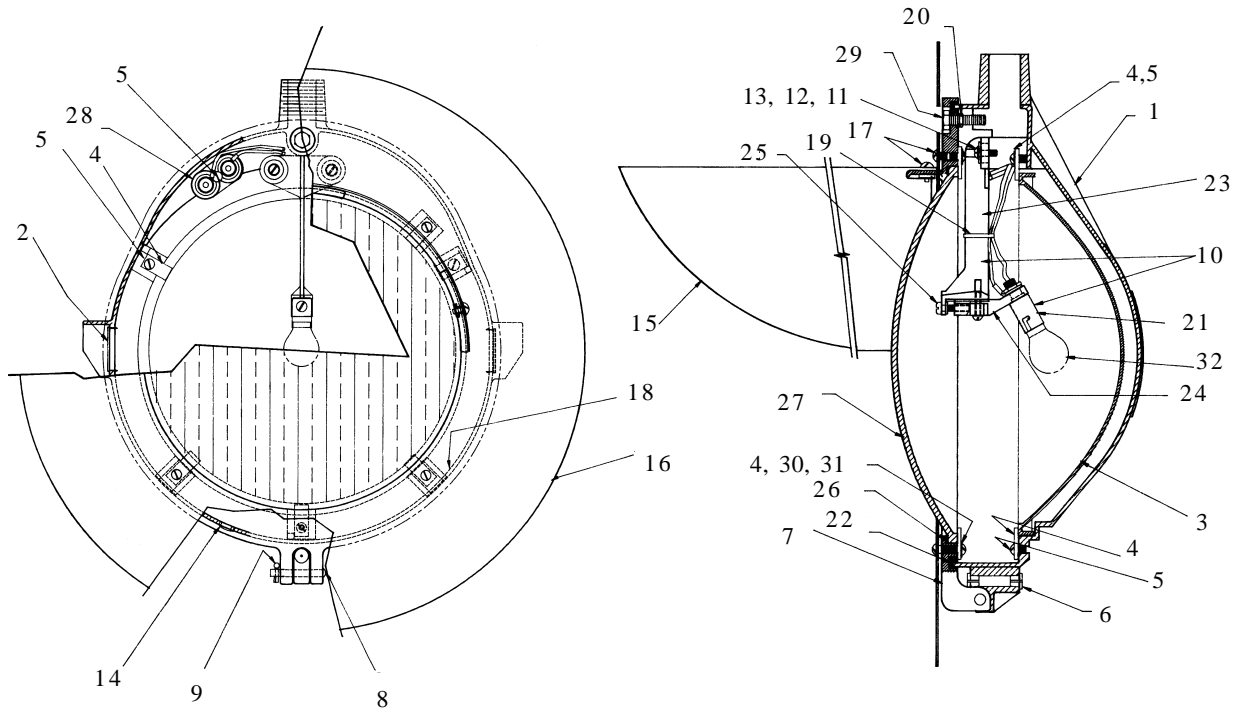


### Type 985-201 (12 Inch) Light Units



#### Specifications - 12 Inch Flashing Light Unit

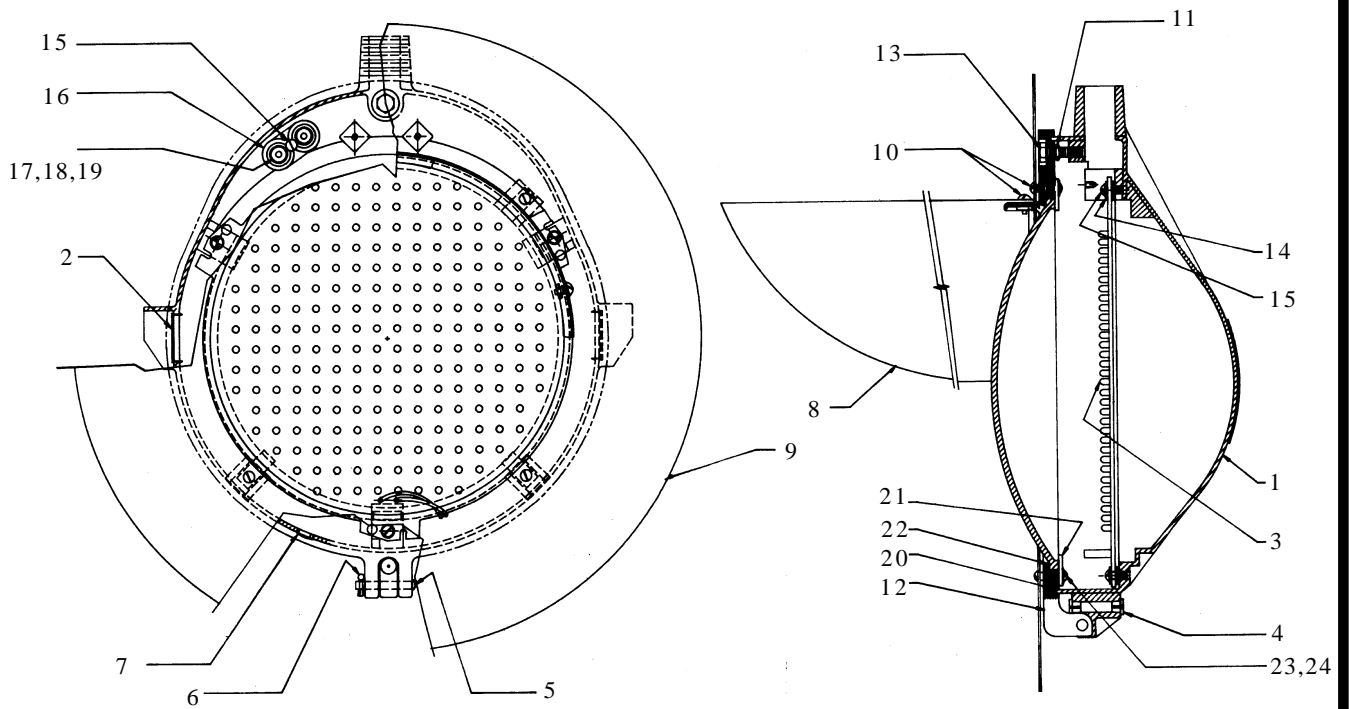
All castings in the Type 985-201 Light Unit are aluminum, with sheet aluminum hood and background.

## Parts For Type 985-201 (12 Inch) Light Units

### Ordering References

Reference	Description	Part No.
1	12" Case	975-700-M
2	Snap-In Side Light Lens	975-128
3	Plastic Parabolic Reflector	975-702
4	Roundel Retainer	970-24
5	#10-24 x 1/2 Phillips Pan Head Screw	AA-58-CC-3-005
6	Peepsite End Cap	975-17
7	12" Cover	975-701-M
8	Hinge Pin	975-703
9	3/32" x 5/8" Cotter Pin	VV-00-AY-1-0062
10	Lamp Bracket Assembly	980-20
11	.328" Plain Washer	PP-00-AK-8
12	#10 Plain Washer	PP-00-AH-3
13	#10-24 x 5/8" Phillips Pan Head Screw	AA-58-CC-3-0062
14	Plastic Vent Cover	1265-6-B
15	Front Lens Hood	975-9
16	20" Background*	980-13
17	Hardware Kit	975-10-A
18	Instruction Label	970-400
19	Cable Tie (Not Shown)	5973-213
20	"O" Ring	960-49-1
21	Bulb Socket	970-18-T
22	Cover Gasket	975-100
23	Lamp Bracket	975-125
24	Lamp Recepticle	975-126
25	Adjusting Screw	975-127
26	Roundel Gasket	975-825
27	12" Roundel	See Separate List
28	2 Post Terminal Block	2507-2
29	5/16"-18 x 1-1/4" Hex Head Bolt	BB-12-GG-1-0125
30	1/4"-20 x 3/8" Round Head Machine Screw	AA-10-EE-3-0037
31	1/4" Internal Lockwasher	SS-00-AJ-3
32	Electric Lamp (Specify Voltage and Wattage)	
*	24" Background	975-21

**Type 985-801 (12 Inch) LED Light Units**



**Specifications - 12 Inch LED Flashing Light Unit**

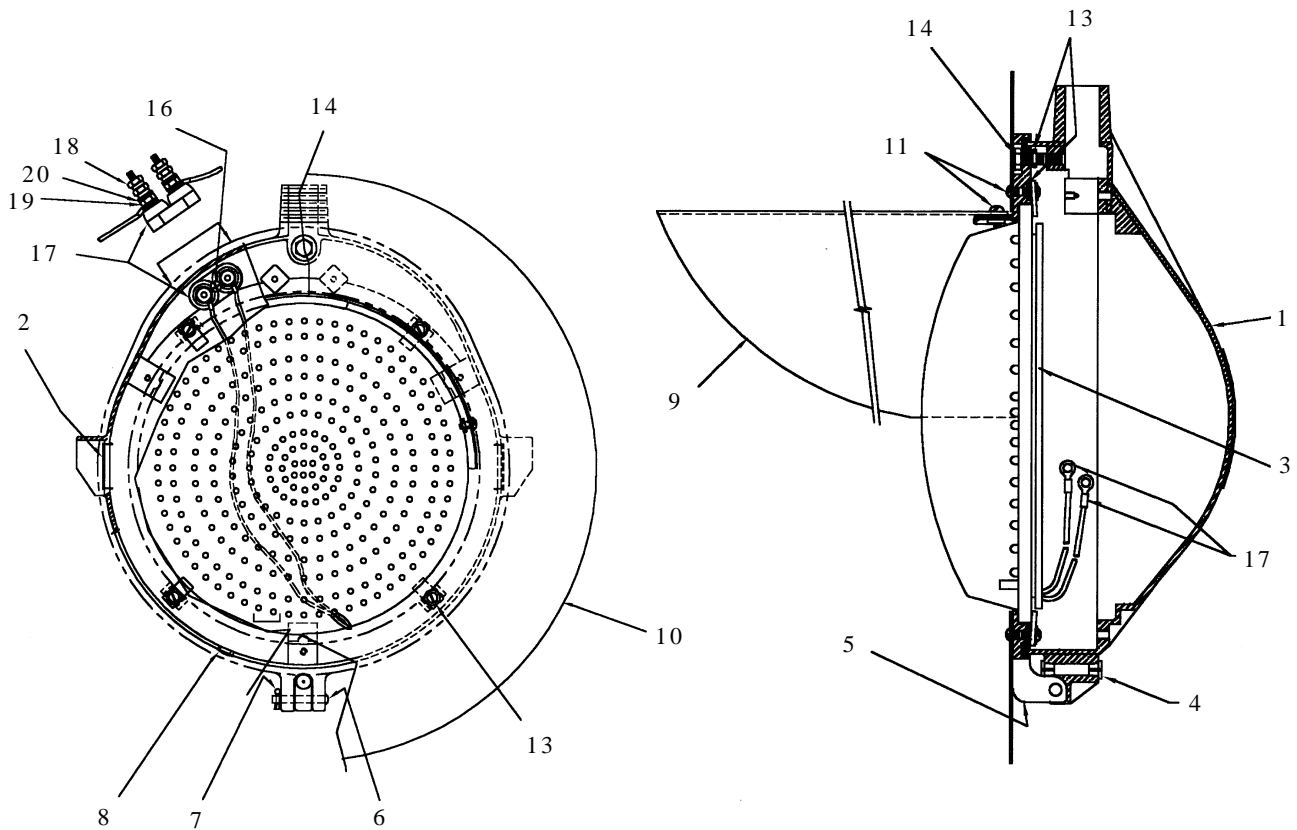
All castings in the Type 985-801 Light Unit are aluminum, with sheet aluminum hood and background.

## Parts For Type 985-801 (12 Inch) LED Light Units

### Ordering References

Reference	Description	Part No.
1	12" Case	975-700-M
2	Snap-In Side Light Lens	975-128
3	12" LED Light Board Kit	975-813
4	Peepsite End Cap	975-17
5	Hinge Pin	975-703
6	3/32" x 5/8" Cotter Pin	VV-00-AY-1-0062
7	Plastic Vent Cover	1265-6-B
8	Front Lens Hood	975-9
9	Background 20"	980-13
9-A	Background 24" (Not Shown)	980-21
10	Hardware Kit	975-10-A
11	"O" Ring	960-49-1
12	12" Cover	975-701-M
13	5/16"-18 x 1-1/4" Hex Head Bolt	BB-12-GG-1-0125
14	#10 Washer	PP-00-AH-3
15	#10-24 x 1/2" Phillips Pan Head Screw	AA-58-CC-3-005
16	Post Terminal Block	2507-2
17	Binding Nut	10706
18	A.A.R. Clamp Nut	10707
19	A.A.R. Washer	10708
20	Cover Gasket	975-100
21	Roundel Retainer	970-24
22	Roundel Gasket	975-825
23	1/4" Internal Lockwasher	SS-00-AJ-3
24	1/4" - 20 x 3/8" Round Head Machine Screw	AA-10-EE-3-037

**Parts For Type 985-811 (12 Inch) LED Light Units**



**Specifications - 12 Inch LED Flashing Light Unit**

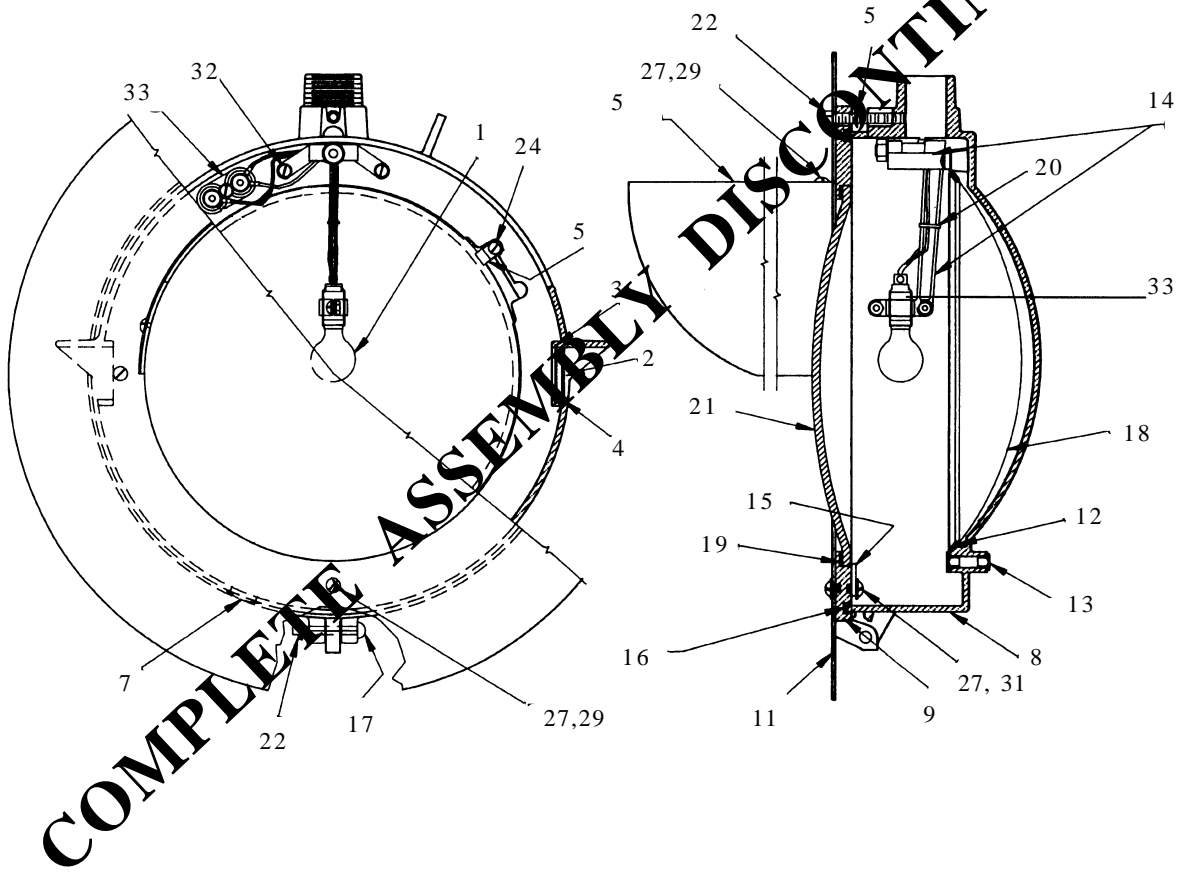
All castings in the Type 985-811 Light Unit are aluminum, with sheet aluminum hood and background.

## Parts For Type 985-811 (12 Inch) LED Light Units

### Ordering Reference

Reference	Description	Part No.
1	12" Case	975-700-M
2	Snap-In Side Light Lens	975-128
3	12" LED Unit with Red Lens	1607-400
4	Peepsite End Cap	975-17
5	Cover	980-12-X
6	Hinge Pin	975-703
7	3/32" x 5/8" Cotter Pin	VV-00-AY-1-0062
8	Plastic Vent Plug	1265-6-B
9	Front Lens Hood	975-9
10	Background, 20"	980-13
10-A	Background, 24" (not shown)	980-21
11	Hardware Kit	975-10-A-SS
13	"O" Ring	960-49-1
14	5/16"-18 x 1-1/4" Hex Head Bolt	BB-12-GG-1-0125
16	#10-24 x 1/2" Phillips Pan Head Screw	AA-58-CC-3-005
17	2 Post Terminal Block	2507-2
18	Binding Nut	10706
19	A.A.R. Clamp Nut	10707
20	Chamfered A.A.R. Washer	10708
Note	12" Aurora LED Board Kit Available on Request	975-813
Note	12" Aurora LED Light Unit Complete	985-801

### Type 975-201 (12 Inch) Light Units



See Page 1-23 for replacement parts that are available.

## Parts for Type 975-201 (12 Inch) Light Units (Available)

### Ordering References

Reference	Description	Part No.
1	Electric Lamp (Specify Voltage & Wattage)	
2	Side Light Glass Disc	811
3	Side Light Retaining Ring	960-7-S
4	" O " Ring for Side Light	960-48
5	Reflector Clip	970-17
6	Push Nut	970-39
7	Plastic Vent Cover	970-60
8	12" Case	975-1
9	12" Cover	975-2
10	Front Lens Hood	975-9
11	Background	975-13
12	Reflector Ring	975-16
13	Peepsite End Cap	975-17
14	Lamp Bracket	975-37
15	Roundel Retainer	975-24
16	Neoprene Cover Gasket	975-99
17	Hinge Pin	975-259
18	Glass Parabolic Reflector	975-275-C
19	Roundel Gasket	975-825
20	Cable Tie	5973-213
21	12" Roundel	See Separate List
22	3/32" x 5/8" Cotter Pin	VV-00-AY-1-0062
23	5/16"-18 x 2-1/4" Hex Head Bolt	CC-12-GG-1-0225
24	#10-24 x 3/8" Phillips Pan Head Screw	AA-58-CC-3-0037
27	1/4" Internal Lockwasher	SS-00-AJ-3
28	1/4"-20 Square Nut	JJ-11-EE-3
29	1/4"-20 x 1/4" Round Head Machine Screw	AA-10-EE-3-0025
30	1/4"-20 x 1/2" Round Head Machine Screw	AA-10-EE-3-005
31	1/4"-20 x 3/8" Round Head Machine Screw	AA-10-EE-3-0037
32	#10-24 x 1/2" Phillips Pan Head Screw	AA-58-CC-3-005
33	Socket Assembly	975-38